

CURRENTLY USED TECHNOLOGY

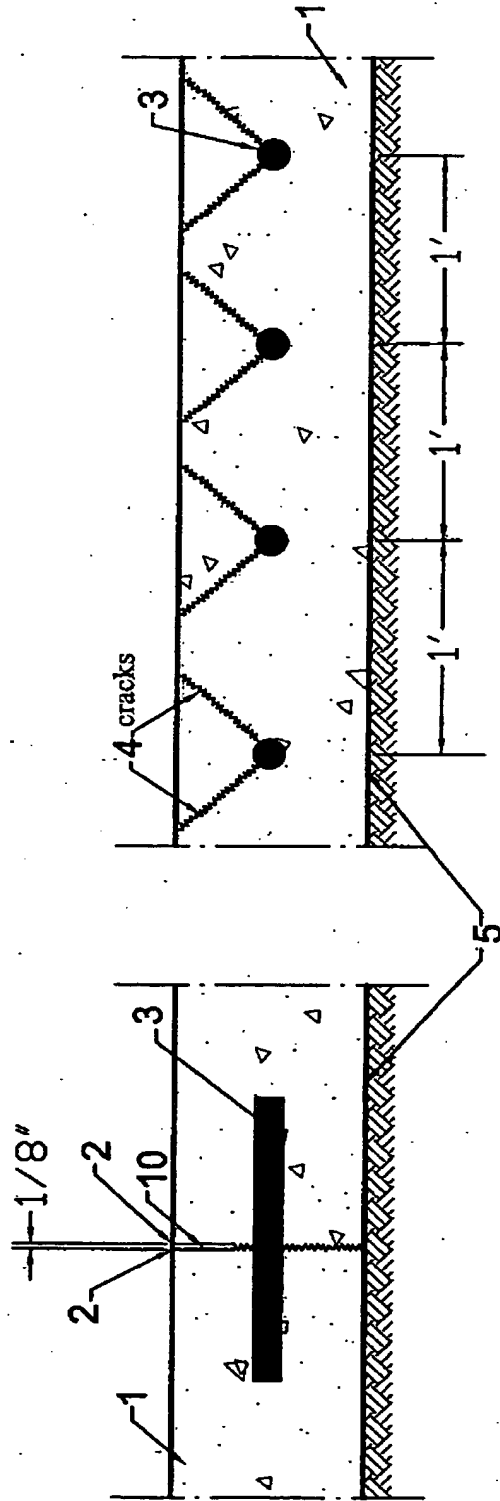


FIG. 1b

FIG. 1a

VARIANT 1

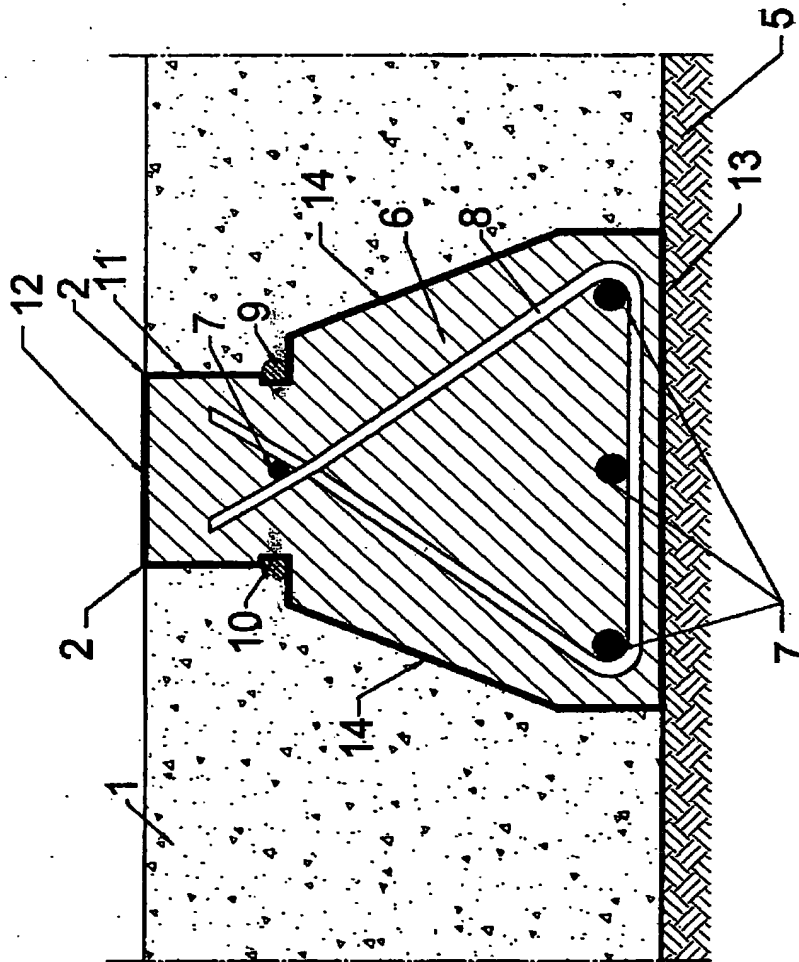


FIG. 2

VARIANT 2

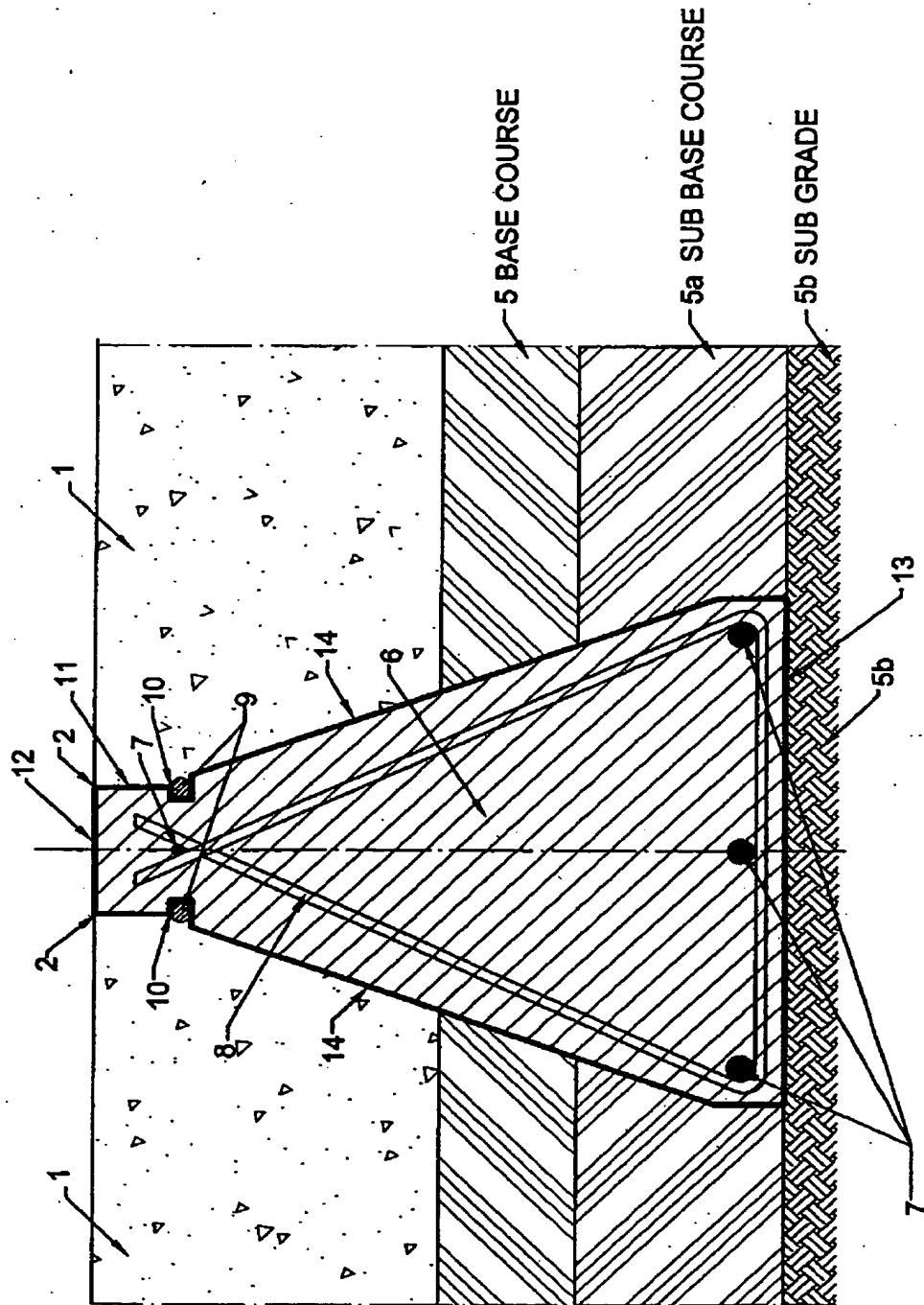


FIG. 3

VARIANT 3

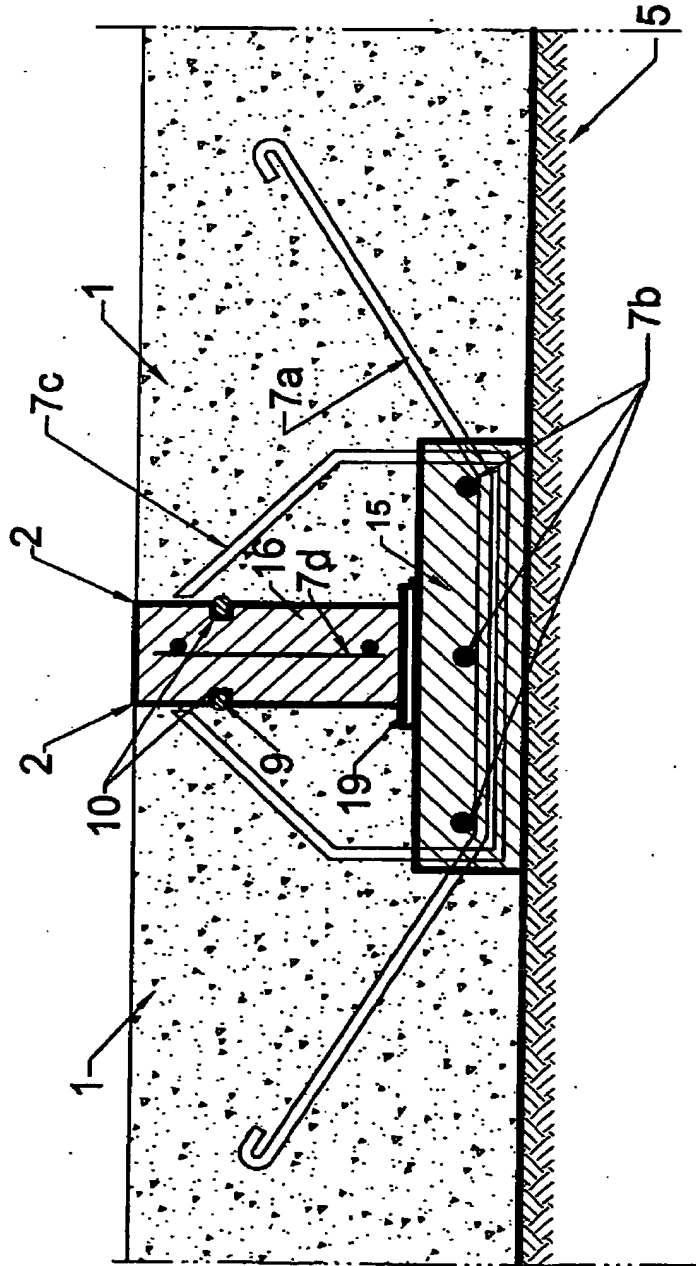


FIG. 4

VARIANT 1a

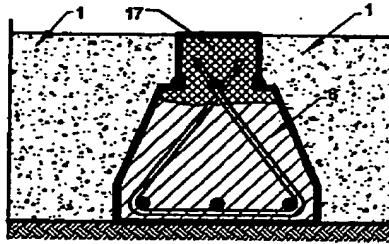


FIG. 5a

VARIANT 2a

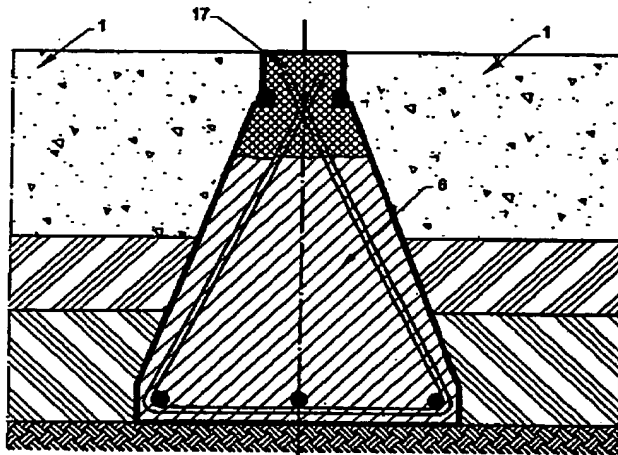


FIG. 5b

VARIANT 3a

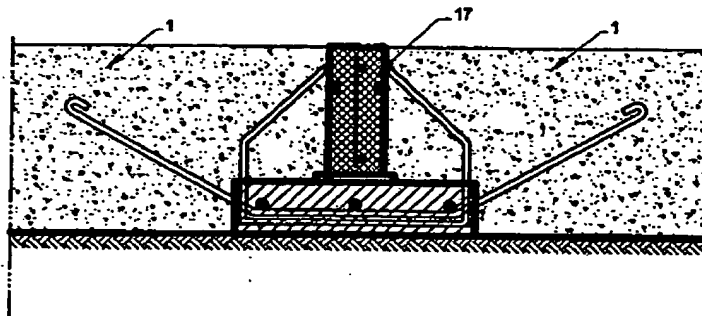


FIG. 5c

VARIANT 1b

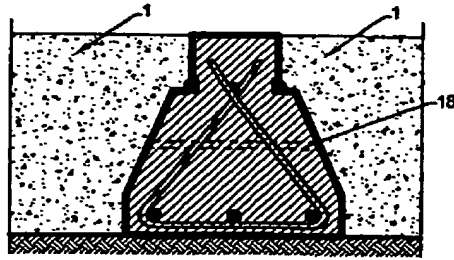


FIG. 6a

VARIANT 2b

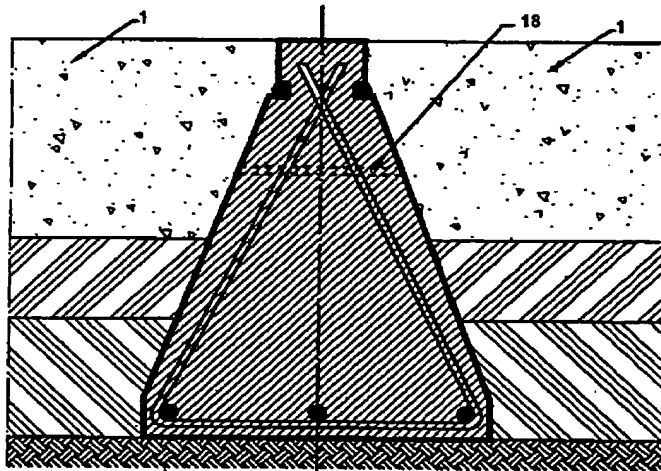


FIG. 6b

VARIANT 3b

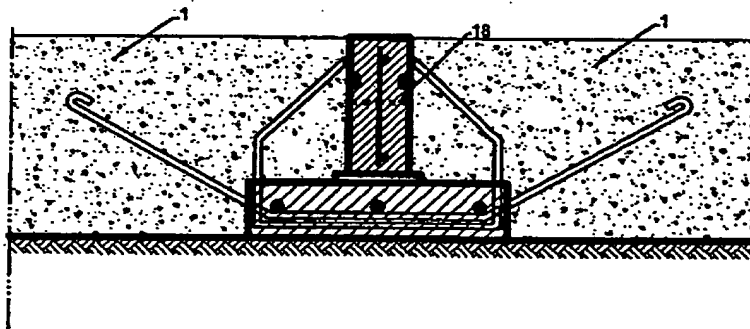


FIG. 6c

VARIANT 1c

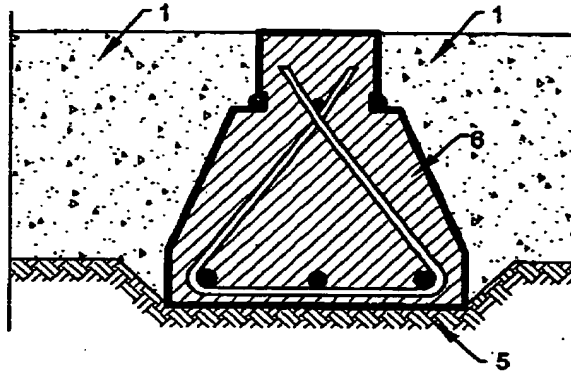


FIG. 7a

VARIANT 3c

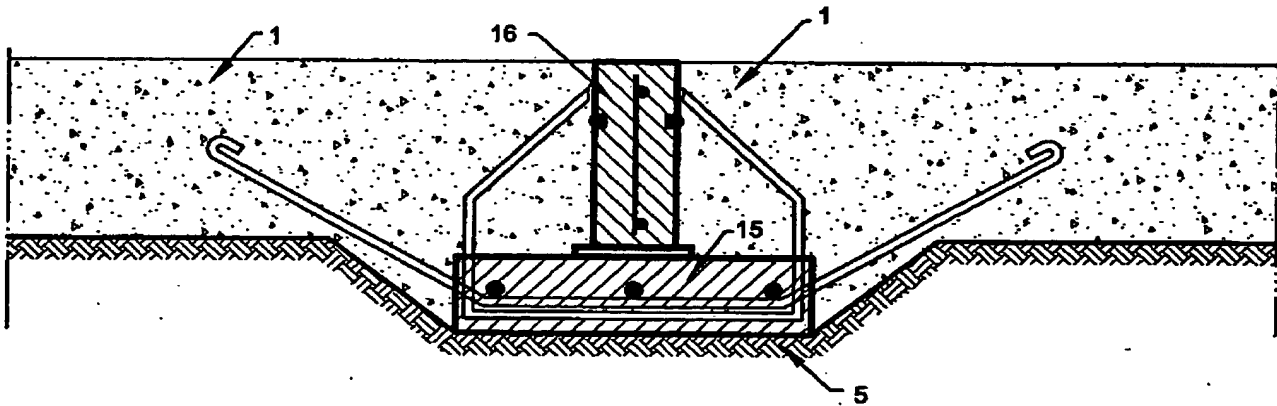


FIG. 7b

VARIANT 1d

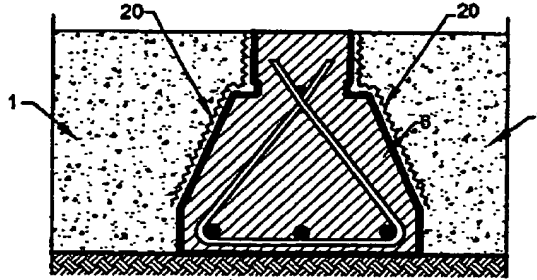


FIG. 8a

VARIANT 2d

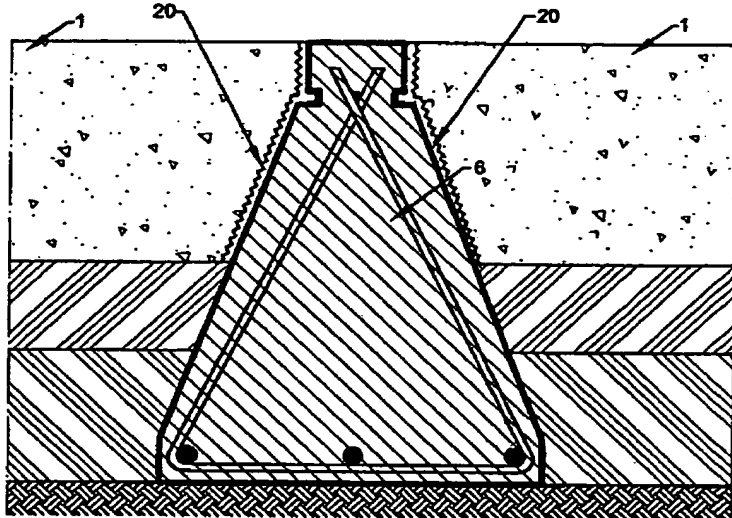


FIG. 8b

VARIANT 3d

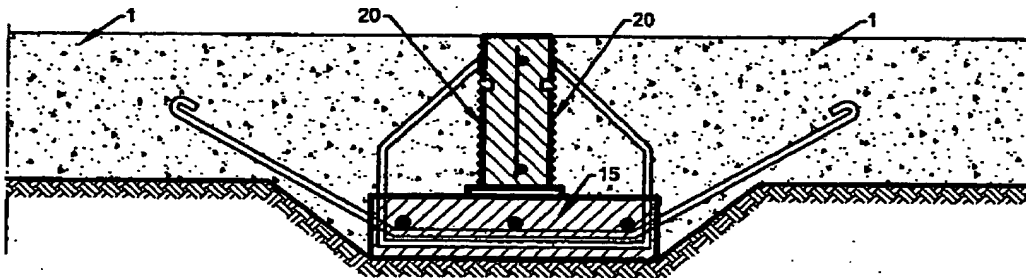


FIG. 8c

VARIANT 4

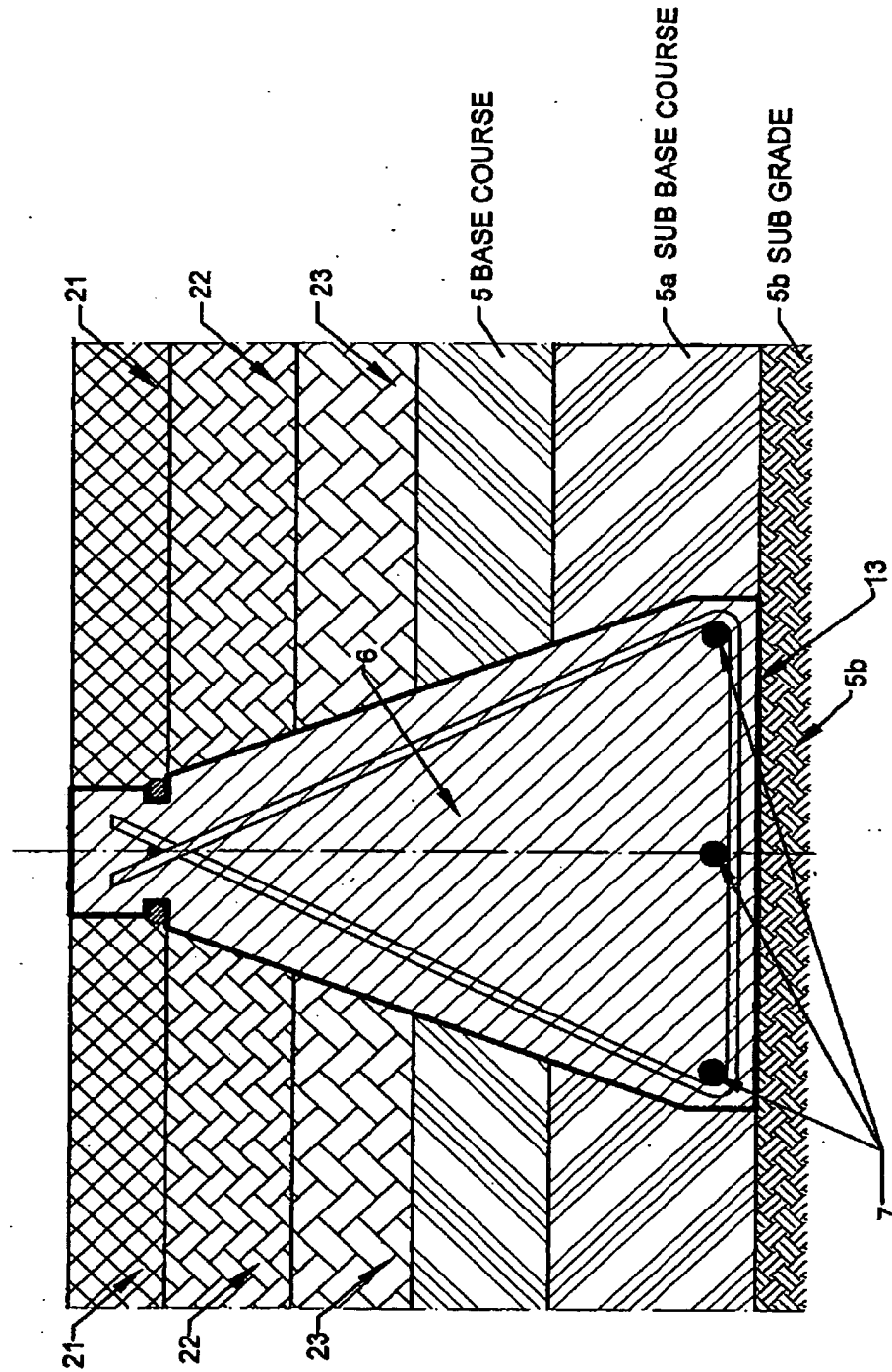


FIG. 9

**This Page is Inserted by IFW Indexing and Scanning
Operations and is not part of the Official Record**

BEST AVAILABLE IMAGES

Defective images within this document are accurate representations of the original documents submitted by the applicant.

Defects in the images include but are not limited to the items checked:

- BLACK BORDERS
- IMAGE CUT OFF AT TOP, BOTTOM OR SIDES
- FADED TEXT OR DRAWING
- BLURRED OR ILLEGIBLE TEXT OR DRAWING
- SKEWED/SLANTED IMAGES
- COLOR OR BLACK AND WHITE PHOTOGRAPHS
- GRAY SCALE DOCUMENTS
- LINES OR MARKS ON ORIGINAL DOCUMENT
- REFERENCE(S) OR EXHIBIT(S) SUBMITTED ARE POOR QUALITY
- OTHER: _____

IMAGES ARE BEST AVAILABLE COPY.

As rescanning these documents will not correct the image problems checked, please do not report these problems to the IFW Image Problem Mailbox.